

Thrust Ball Bearings

Bearing No. : **NACHI 53208**

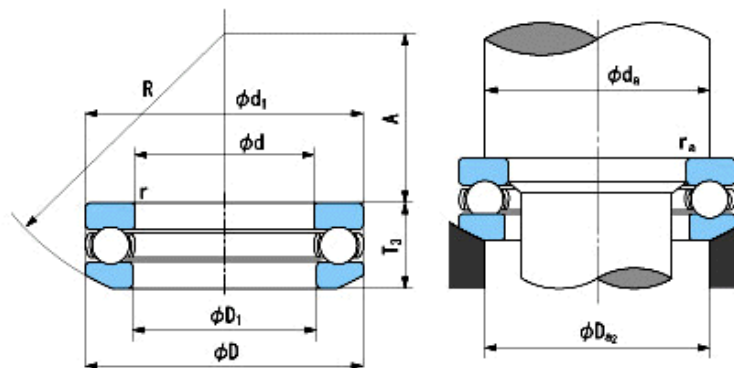
■ Bearing Type

■ Clearance

■ Tolerance Class

Dimensions

d = 40	0 -0.012
D = 68	0 -0.019
T3 = 20.3	
r = 1~2.2	
(Radial Direction and Axial Direction)	
D1(min) = 42	
d1(max) = 68	
R = 56	
A = 28.5	



Dimensions	
da(min) = 57	
Da2(max) = 51	
ra(max) = 1	
Mass = 0.27 kg	

Basic Dynamic Load Rating Ca :	47,000 N	INNER RING	OUTER RING
Basic Static Load Rating Coa :	98,500 N	O.D.Surface Runout with Side :	-
Limiting Speed ;		Axial Runout with Bore :	-
Grease Lubrication :	2,700 min ⁻¹	Axial Runout with Raceway :	-
Oil Lubrication :	4,100 min ⁻¹	Width Variation :	-
		Radial Runout :	-